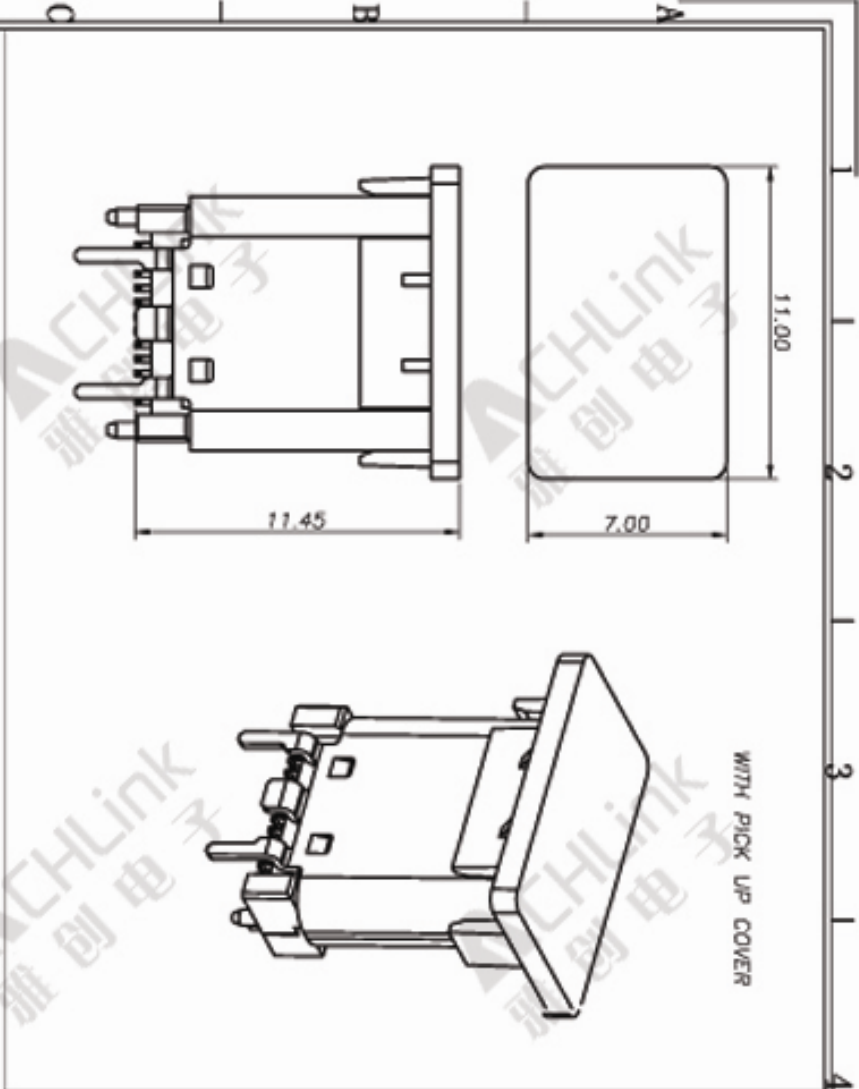


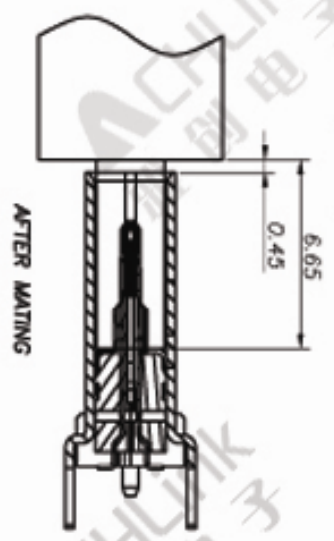
版次	修改内容	日期

- NOTE:
1. MATERIAL SPECIFICATION:
 1. HOUSING & COVER: CP, UL94 V-0.
 2. CONTACTS: COPPER ALLOY (C1814)
 3. MID PLATE: STAINLESS STEEL (SUS301)
 4. FRONT SHELL: STAINLESS STEEL (SUS304)
 5. EMI PLATE: STAINLESS STEEL (SUS301)
 2. PLATING SPECIFICATION:
 - 2-1. CONTACTS: NI 50μ MIN. UNDER PLATED OVER ALL Au PLATED ON THE FUNCTIONAL AREA OF CONTACT. (GOLD PLATING THICKNESS FOLLOW THE P/N)
 - 2-2. FRONT SHELL: PLATING SPECIFICATIONS OF THE SOLDER AREA FOLLOW THE P/N
 - 2-3. MID PLATE & EMI PLATE: CLEAR ONLY
 3. MECHANICAL PERFORMANCE:
 - 3-1. INSERTION FORCE: 0.5~2.0kgf.
 - 3-2. REMOVAL FORCE: 0.8kgf~2.0kgf.
 - 3-3. DURABILITY: 10000 CYCLES.
 4. ELECTRICAL PERFORMANCE:
 - 4-1. CURRENT RATING: 5.0A VOLTAGE RATING: 5.0V
 - 4-2. ILCR: VBUS & GND PINS AND OTHER PINS: 40mΩ/PIN MAX. SHIELD: 50mΩ/MAX. ILCR MAX. CHANGE OF ALL PINS: 10mΩ.
 - 4-3. INSULATION RESISTANCE: 100MΩ MIN
 - 4-4. DIELECTRIC WITHSTAND VOLTAGE: AC 100V FOR 1 MINUTE.
 5. ENVIRONMENTAL PERFORMANCE:
 - OPERATING TEMPERATURE: -25℃~+85℃
 6. IR REFLOW: THE PEAK TEMPERATURE ON THE BOARD SHALL BE MAINTAINED FOR 10 SECONDS AT 260℃.

核准		未注公差	X.X ±0.20	ACH 雅創电子有限公司 ACH ELECTRONICS CO., LTD TEL: 0754-88216101 FAX: 0759-88210123
审核		X.XX ±0.15		
设计	1cy	2017-08-31	X.XXX ±0.05	品名 USB CF VERTICAL (Q=10.35) TAIL LENGTH=2.1MM
单位	mm	版次	A/0	圖號
				客戶編號
				客戶料號



WITH PICK UP COVER

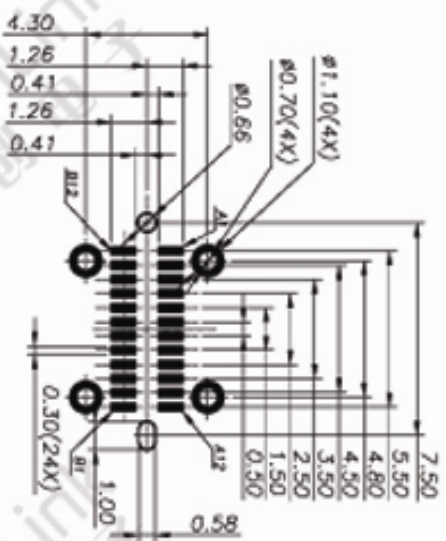


AFTER MATING

版次	修改内容	日期

USB TYPE-C PIN ASSIGNMENTS

PIN NUMBER	SIGNAL NAME	PIN NUMBER	SIGNAL NAME
A1	GND	B12	GND
A2	SSTxp1	B11	SSRxp1
A3	SSTxn1	B10	SSRxn1
A4	Vbus	B9	Vbus
A5	CC1	B8	SBu2
A6	Dp1	B7	Dn2
A7	Dn1	B6	Dp2
A8	SBu1	B5	CC2
A9	Vbus	B4	Vbus
A10	SSRxn2	B3	SSTxn2
A11	SSRxp2	B2	SSTxp2
A12	GND	B1	GND

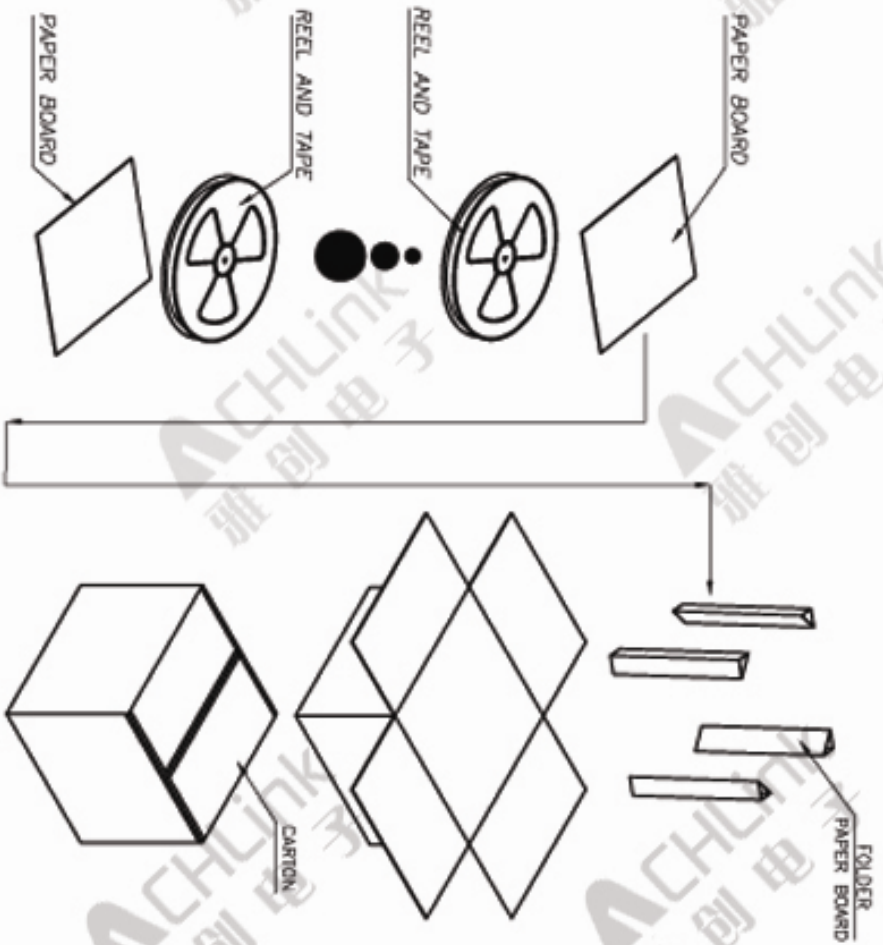
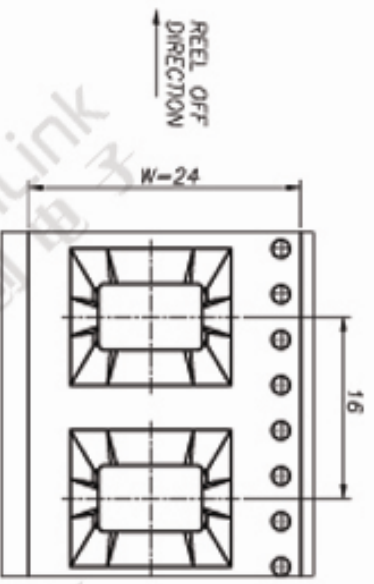
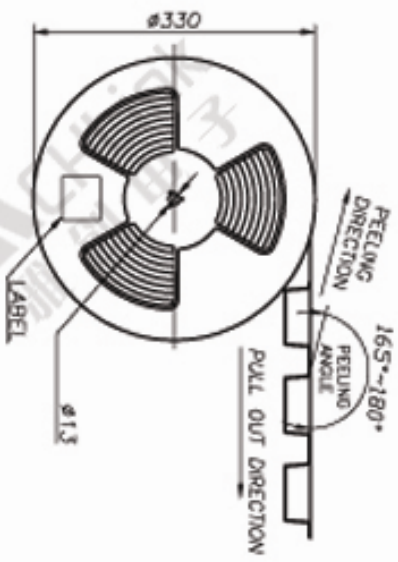
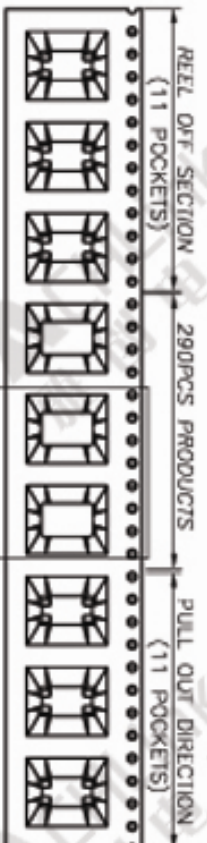


RECOMMENDED PCB LAYOUT(TOP VIEW)
THICKNESS: 2.13, 1.0MM; DEFAULT TOLERANCE: 2.05

核准		未注公差	X, X ±0.20	ACH 雅创电子有限公司 ACH ELECTRONICS CO., LTD TEL: 0755-88210101/FAX: 0755-88210123
审核		X, XX ±0.15		
设计	JCY	客户编号	X, XXX ±0.05	品名
	单位	版次	A/0	USB CF VERTICAL (L=10.35) TAIL LENGTH=2.1MM
				图号
				客户料号

1 2 3 4 5 6 7

版次	修改内容	日期



CONNECTOR (PCS)	REEL/TRAY	CARTON
290	290	2900

ACH 雅創电子有限公司
 ACH ELECTRONICS CO., LTD

TEL: 0754-88219101 FAX: 0753-88210123
 USB CF VERTICAL (L=10.35)
 TAIL LENGTH=2.1MM

核准		未注公差	X.X ±0.20	品名	ACH
审核		X.XX ±0.15			
设计	1cy	2017-08-31	X.XXX ±0.05	图号	
单位	mm	版次	A/0	客户编号	
				客户料號	